



INNOVATION.
PRECISION.
QUALITY.

DD SERIES

VERSATILE, SINGLE-AXIS
DIRECT-DRIVE ROTARY TABLE

Matsumoto direct drive (DD) rotary units are incredibly quick, precise, and low-maintenance. DD indexers are most widely used in grinding applications where precision and quickness are crucial. Additionally, DD tables can be sealed for grinding, making the unit impervious to grinding dust and debris. If your application is high-speed & high-production intensive, then Matsumoto DD rotary tables are perfect for you.



SPECIFICATIONS

	DD166	DD256	DD306	DD456	DD636	DD1006
Table Diameter mm(in)	160 (6.30)	250 (9.84)	300 (11.81)	457 (18.00)	630 (24.80)	1000 (39.37)
Center Height mm(in)	125 (4.92)	200 (7.87)	235 (9.25)	n/a	n/a	n/a
Thru-Hole mm(in)	optional	optional	optional	optional	optional	optional
Maximum Speed (RPM)	1000	300	300	300	200	100
Accuracy (arc sec)	±7	±6	6	±3.5	±3	±3
Repeatability (arc sec)	±1	±1	±2	±1	±1	±1
Clamp Torque (ft-lb)	207(153)	207 (153)	1974 (1456)	optional	optional	optional
Load Capacity, Vert. kg(lb)	80 (176)	200 (440)	200 (440)	n/a	n/a	n/a
Load Capacity, Horiz. kg(lb)	80 (176)	200 (440)	350 (770)	160 (352)	1000 (2205)	5000 (11023)

*Other servo motors available

FULLY
SUBMERSIBLE

DESIGNED
FOR EDM

PLEASE CONTACT US TO CUSTOMIZE DIMENSIONS/SPECIFICATIONS OR FOR ADDITIONAL OPTIONS

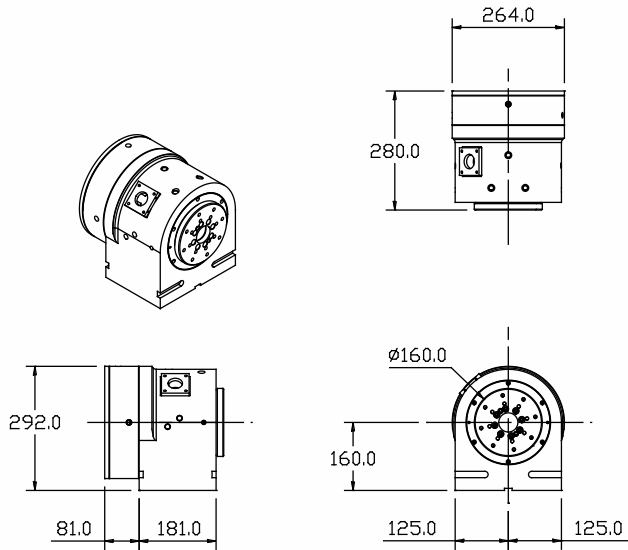
MMK Matsumoto Corp. | mmkmatsumoto.com | 1-888-665-1118

DD SERIES

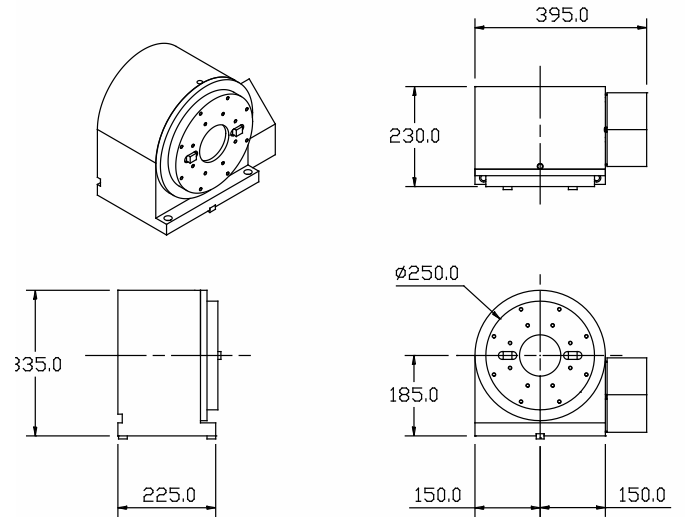
VERSATILE, SINGLE-AXIS
DIRECT-DRIVE ROTARY TABLE

PRODUCT DRAWINGS

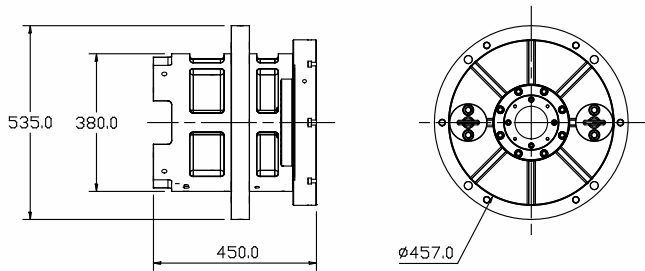
DD166



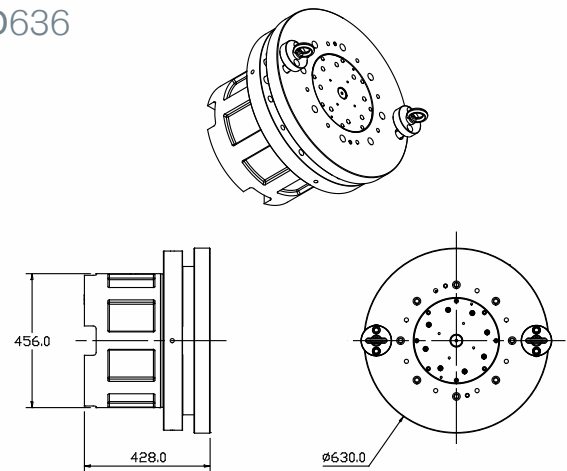
DD256



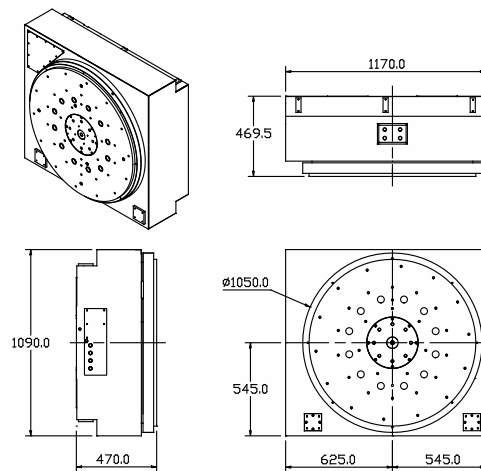
DD456



DD636



DD1006





INNOVATION.

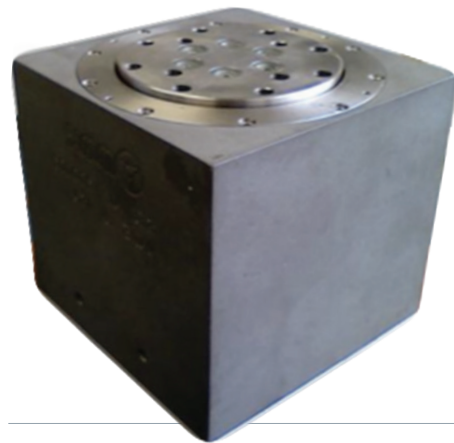
PRECISION.

QUALITY.

DDQ SERIES

DIRECT DRIVE QUBE MICRO ROTARY STAGE

The DDQ model is unique as an ultra-compact, submersible indexing rotary stage. DDQ is extremely versatile and can be used in a multitude of different types of applications. Best suited for precision machining of medical devices/components, electronic and optical components, and other types of micromachining, DDQ is great for submersible EDM machining and even light milling. DDQ is also impervious to grinding dust and debris of all types.



SPECIFICATIONS

	DDQ76	DDQ106
Table Diameter mm(in)	70 (2.76)	100 (3.94)
Center Height mm(in)	50 (1.97)	53 (2.09)
Maximum Speed (RPM)	90 (1000)	1000
Accuracy (arc sec)	±5	±5
Repeatability (arc sec)	±1	±2
Load Capacity, Vert. kg(lb)	5 (11)	10 (22.05)
Load Capacity, Horiz. kg(lb)	5 (11)	10 (22.05)
Net Weight kg(lb)	5 (11)	10 (22.05)

*Other servo motors available

PRECISION
INDEXING



HIGH SPEED
SPINNING

TYPICAL WORKPIECES



OPTIONS & ACCESSORIES

- ▼ EDM Chuck
- ▼ Multi-Port Rotary Joint
- ▼ Stationary/Slider Support
- ▼ Additional Stackable Units
- ▼ Tailstock
- ▼ Independent CNC Controller

PLEASE CONTACT US TO CUSTOMIZE DIMENSIONS/SPECIFICATIONS OR FOR ADDITIONAL OPTIONS

DDQ SERIES

VERSATILE, SINGLE-AXIS
DIRECT-DRIVE ROTARY TABLE

PRODUCT DRAWINGS

DDQ106

